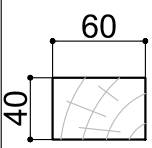

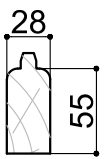
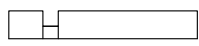
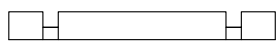
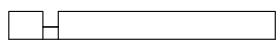
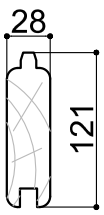


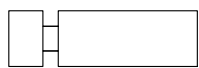

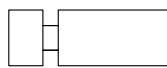
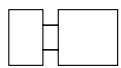
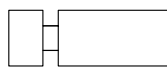
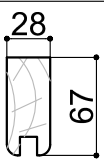

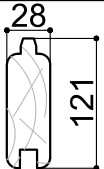
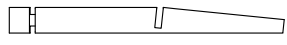
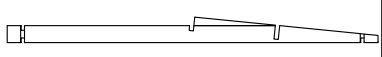
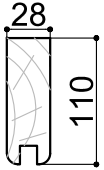
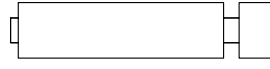

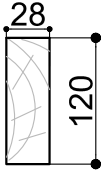
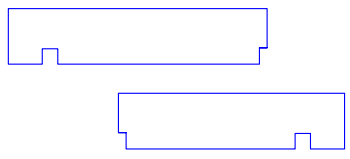
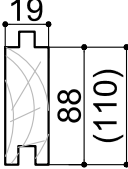
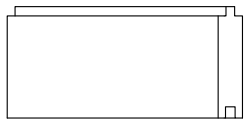
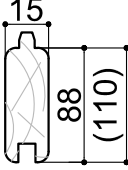
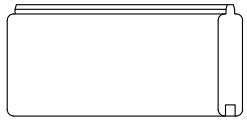
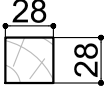
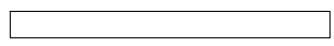
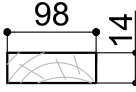

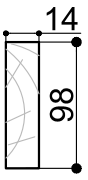
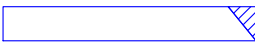


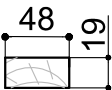

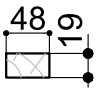
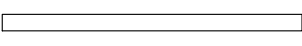
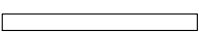
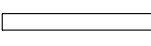
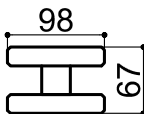

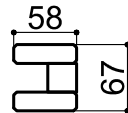
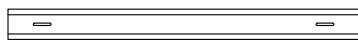
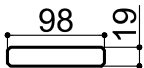

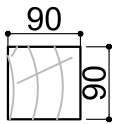
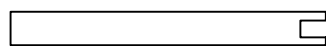
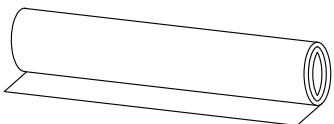
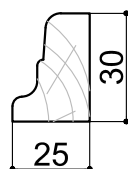

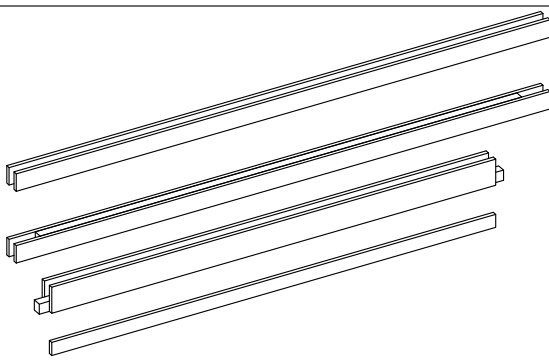
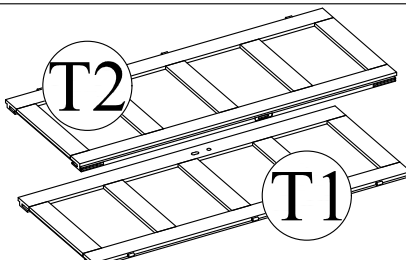
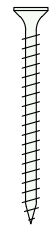
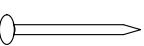
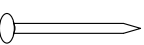
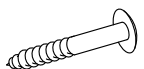
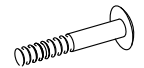
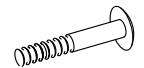


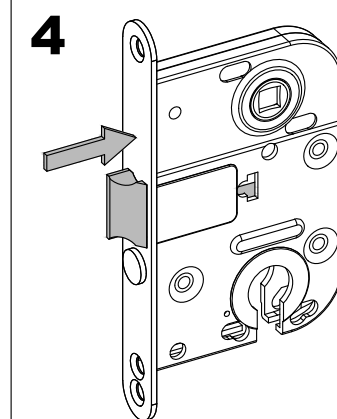
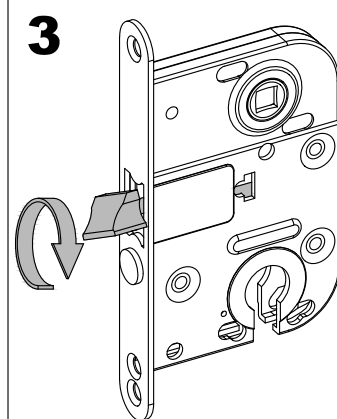
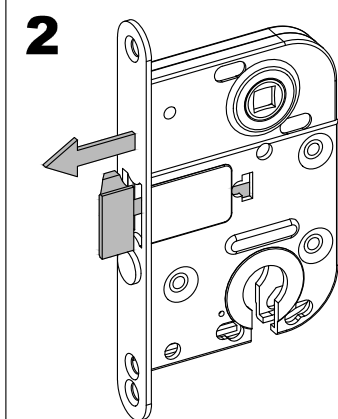
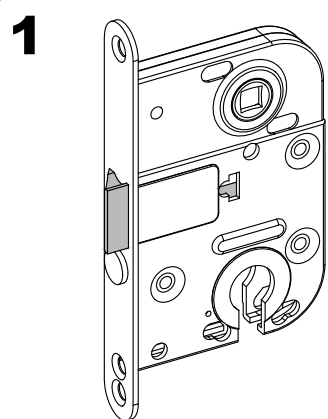
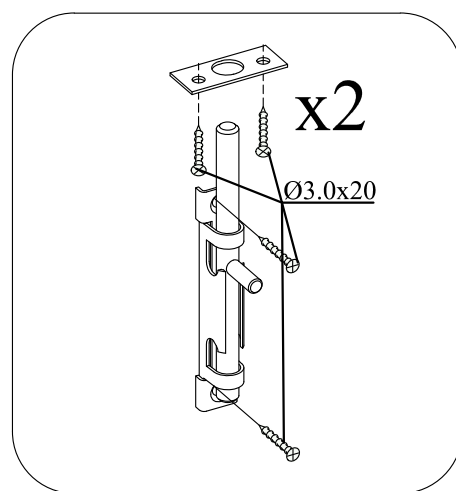
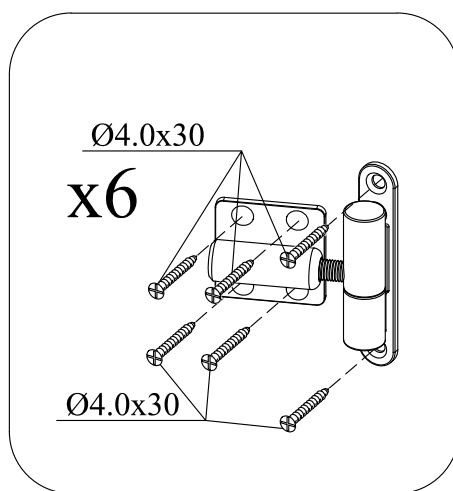
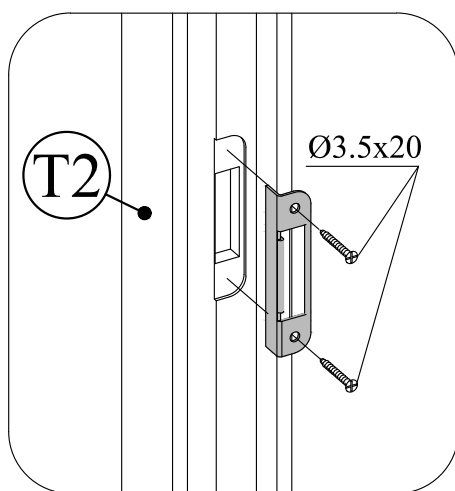
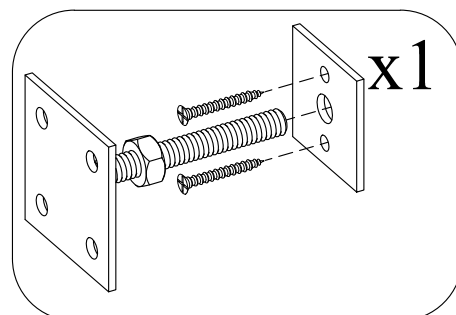
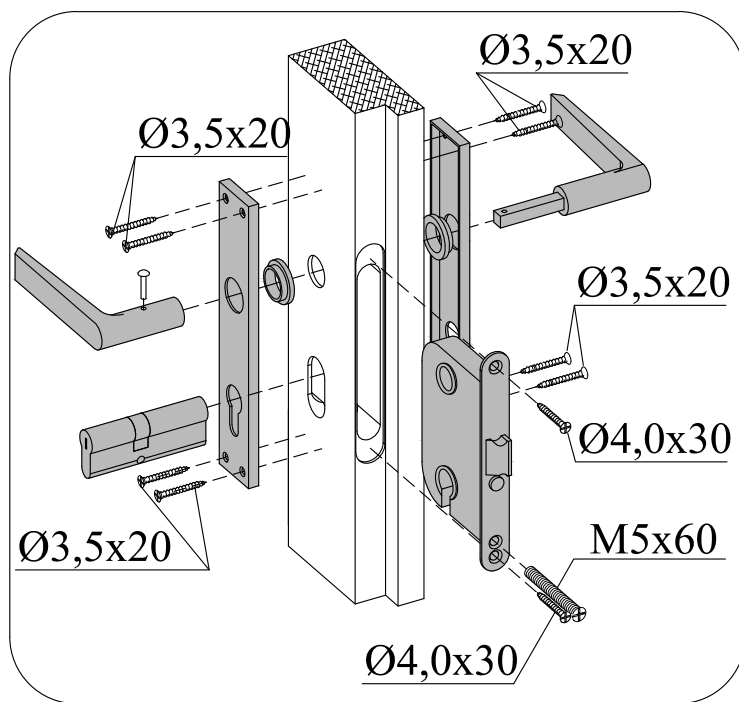


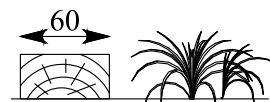
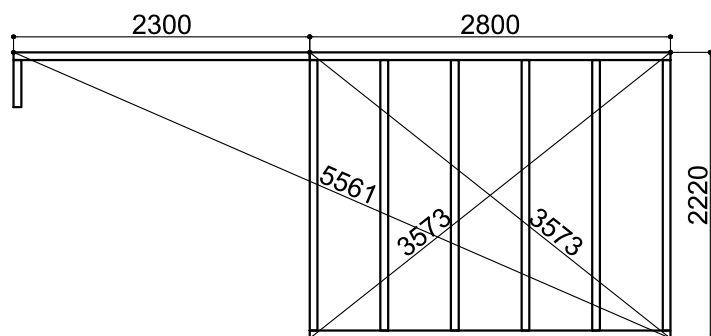
| Maße,<br>Dim., Dim.   | Skizze, dessin, sketch  | Pos. | Länge,<br>longueur,<br>Length | Menge,<br>quantité,<br>quantity | Name, nom, name.   |
|---|---|------|-------------------------------|---------------------------------|--|
|     |    | ①    | 2800                          | 2                               | Fundamentbalken<br>Lambourdes<br>Foundation beam   |
|   |   | ②    | 2100                          | 6                               |  |
|   |   | ③    | 2300                          | 1                               |  |
|   |   | ④    | 365                           | 1                               |  |
|    |    | ⑤    | 692                           | 2                               | Brett für Vorderseite,<br>Madrier avant, Front board   |
|   |    | ⑥    | 2980                          | 1                               | Brett für Rückseite,<br>Madrier arrière, Back board  |
|   |    | ⑫    | 2265                          | 1                               | Brett für Rückseite,<br>Madrier arrière, Back board  |
|  |    | ⑦    | 2400                          | 33                              | Brett für Seitenwand,<br>Madrier latéral, Side board   |
|   |   | ⑧    | 2980                          | 15                              | Brett für Rückseite,<br>Madrier arrière, Back board  |
|   |  | ⑨    | 692                           | 34                              | Brett für Vorderseite,<br>Madrier avant, Front board   |
|   |  | ⑩    | 2265                          | 15                              | Brett für Rückseite,<br>Madrier arrière, Back board  |
|   |  | ⑪    | 515                           | 15                              | Brett für Seitenwand,<br>Madrier latéral, Side board   |
|   |  | ⑬    | 285                           | 1                               | Brett für Vorderseite,<br>Madrier avant, Front board   |
|   |  | ⑭    | 515                           | 1                               | Brett für Vorderseite,<br>Madrier avant, Front board   |
|  |  | ⑰    | 637                           | 3                               | Brett für Seitenwand,<br>Madrier latéral, Side board   |
|  |  | ⑯    | 1186                          | 3                               | Brett für Seitenwand,<br>Madrier latéral, Side board   |
|   |  | ⑮    | 2400                          | 3                               | Brett für Seitenwand,<br>Madrier latéral, Side board   |
|  |  | ⑱    | 2880                          | 2                               | Brett für Vorderseite / Rückseite,<br>Madrier avant / Madrier arrière,<br>Front board / Back board |
|   |  | ⑲    | 2400                          | 2                               |  |

| Maße,<br>Dim., Dim.   | Skizze, dessin, sketch  | Pos. | Länge,<br>longueur,<br>Length | Menge,<br>quantité,<br>quantity | Name, nom, name.                             |
|---|---|------|-------------------------------|---------------------------------|--|
|    |    | 20   | 2880                          | 3                               | Sparren,<br>Panne faîtière,                  |
|   |   | 21   | 2400                          | 3                               | Rafter                                       |
|     |    | 22   | 2740                          | 25<br>(20)                      | Bodenbrett<br>Plancher bois<br>Floor board   |
|     |    | 23   | 2450                          | 60<br>(48)                      | Dachbrett,<br>Madrier de toit,<br>Roof board |
|    |    | 24   | 1760                          | 3                               | Dachlatte,<br>Latte de toit,<br>Roof lath    |
|   |  | 25   | 1760                          | 3                               | Dachlatte,<br>Latte de toit,<br>Roof lath    |
|  |  | 26   | 2500                          | 2                               | Windbrett,<br>Planche de rive, Wind board    |
|   |  | 27   | 2300                          | 1                               | Windbrett,<br>Planche de rive, Wind board    |
|   |  | 28   | 3018                          | 1                               | Windbrett,<br>Planche de rive, Wind board    |
|   |  | 29   | 250                           | 1                               | Windbrett,<br>Planche de rive, Wind board    |
|  |  | 30   | 2470                          | 2                               | Dachlatte,<br>Latte de toit, Roof lath       |
|   |  | 31   | 3018                          | 1                               | Dachlatte,<br>Latte de toit, Roof lath       |
|   |  | 32   | 2300                          | 1                               | Dachlatte,<br>Latte de toit, Roof lath       |

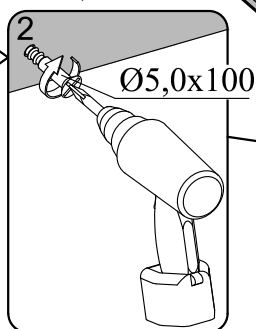
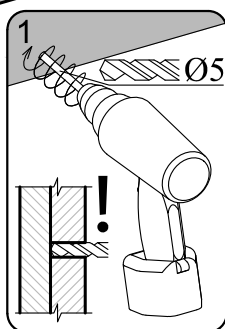
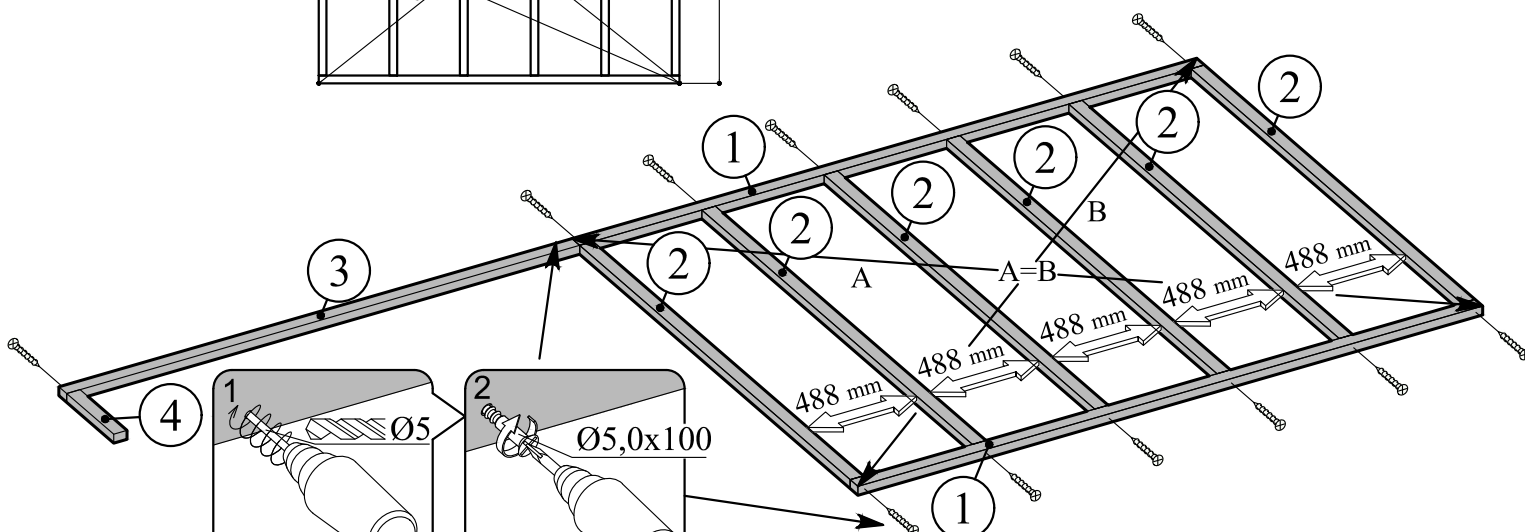
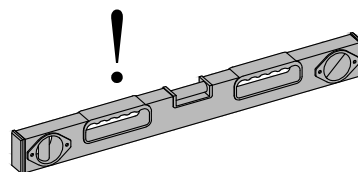
| Maße,<br>Dim., Dim.   | Skizze, dessin, sketch  | Pos.         | Länge,<br>longueur,<br>Length | Menge,<br>quantité,<br>quantity                                | Name, nom, name.   |
|---|---|--------------|-------------------------------|--|--|
|     |    | 33           | 1780                          | 1  | Verbindungsleiste,<br>Pièce de connexion,<br>Connecting part |
|     |    | 34           | 1670                          | 1  | Verbindungsleiste,<br>Pièce de connexion,<br>Connecting part |
|     |    | 35           | 1780                          | 1  | Verbindungsleiste,<br>Pièce de connexion,<br>Connecting part |
|     |    | 36           | 1700                          | 1  | Pfosten,<br>Pôle,<br>Post                                    |
|  |   | 37           | 5400                          | 3  | Dachpappe,<br>Feutre bitumé,<br>Bitume                       |
|   |  | 38           | 2750                          | 1  | Bodenleiste,<br>Lame de plancher,<br>Skirting board          |
|   |   | 39           | 2170                          | 2  |  |
|   |   | 40           | 555                           | 2  |  |
|   | TR1   | 1960         | 1                             | Türrahmen links,<br>Cadre de porte gauche,<br>Door frame left  |  |
|   | TR2   | 1960         | 1                             | Türrahmen rechts,<br>Cadre de porte droite<br>Door frame right |  |
|   | TR3   | 1580         | 1                             | Türrahmen oben,<br>Montant supérieur,<br>Door frame top        |  |
|   | TR4   | 1510         | 1                             | Türstufe,<br>Latte de finition bas<br>Door frame bottom        |  |
|   | T1  | 1850x<br>765 | 1                             | Tür,<br>Porte,<br>Doors  |  |
|   | T2  | 1850x<br>765 | 1                             | Tür,<br>Porte,<br>Doors  |  |

| Skizze,<br>dessin,<br>sketch  | Maße,<br>Dim., Dim. | Menge,<br>quantité,<br>quantity |
|---|---------------------|---------------------------------|
|    | Ø3.5 x 40           | 71                              |
|   | Ø5.0 x 100          | 31                              |
|   | Ø3.5 x 60           | 4                               |
|    | Ø2.0 x 40           | 300                             |
|   | Ø2.0 x 50           | 150                             |
|    | Ø2.0 x 16           | 60                              |
|     | 6.3 x 80            | 2                               |
|     | M6.0 x 80           | 6                               |
|    | M6.0 x 60           | 3                               |
|  | Ø6.0                | 20                              |
|  | M6                  | 9                               |

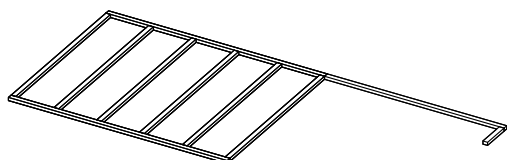




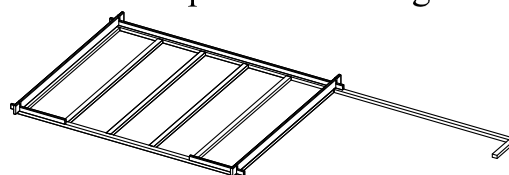
1



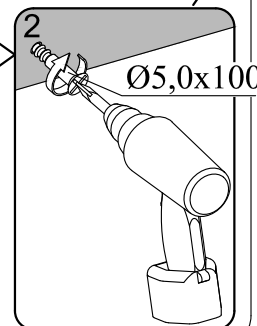
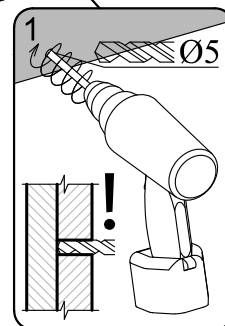
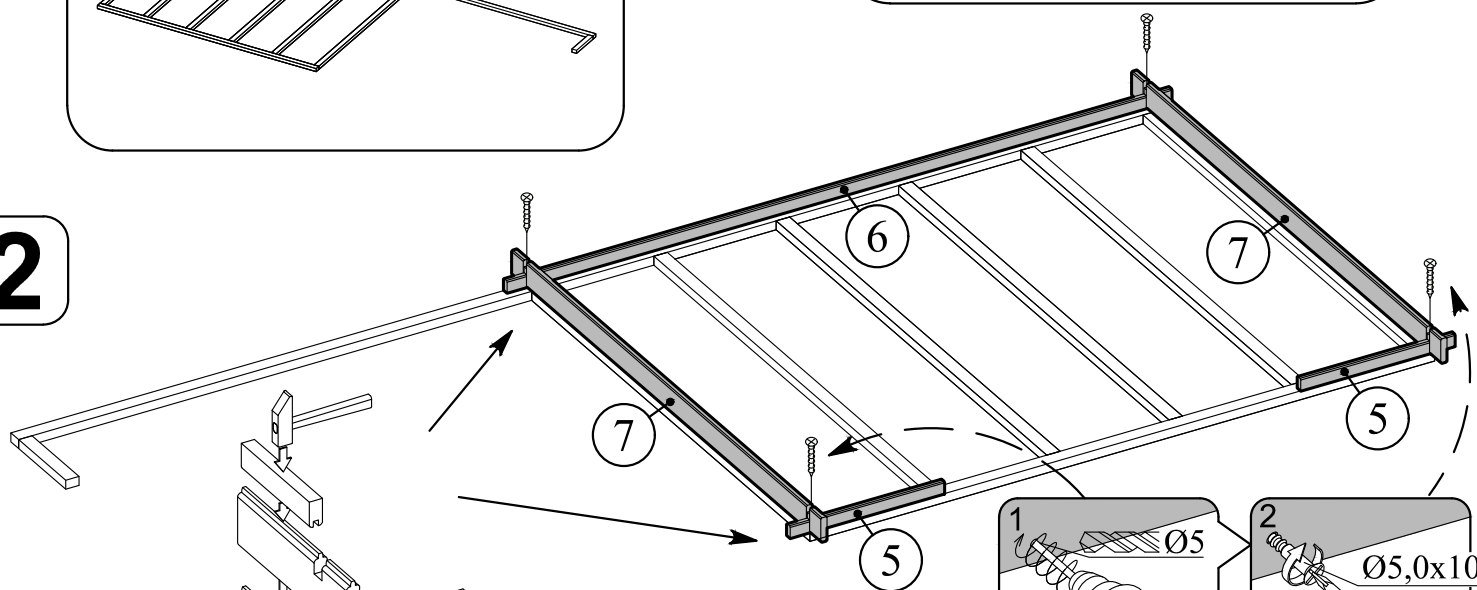
Montage variante  
Assembling variant  
Des option de montage

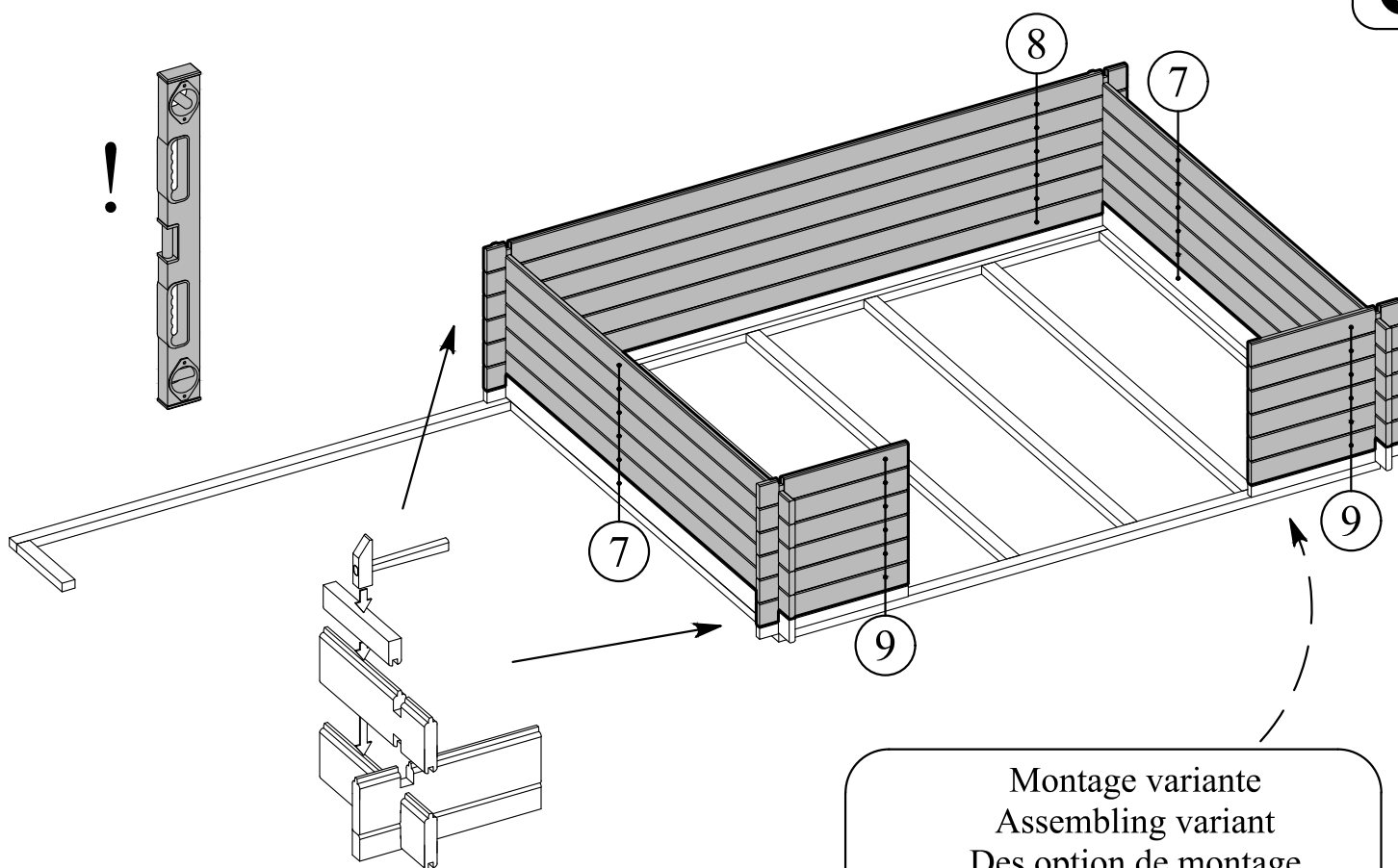


Montage variante  
Assembling variant  
Des option de montage

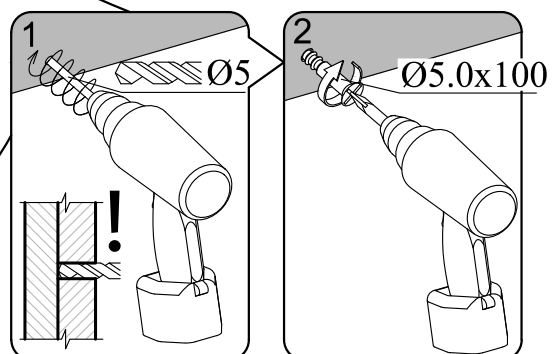
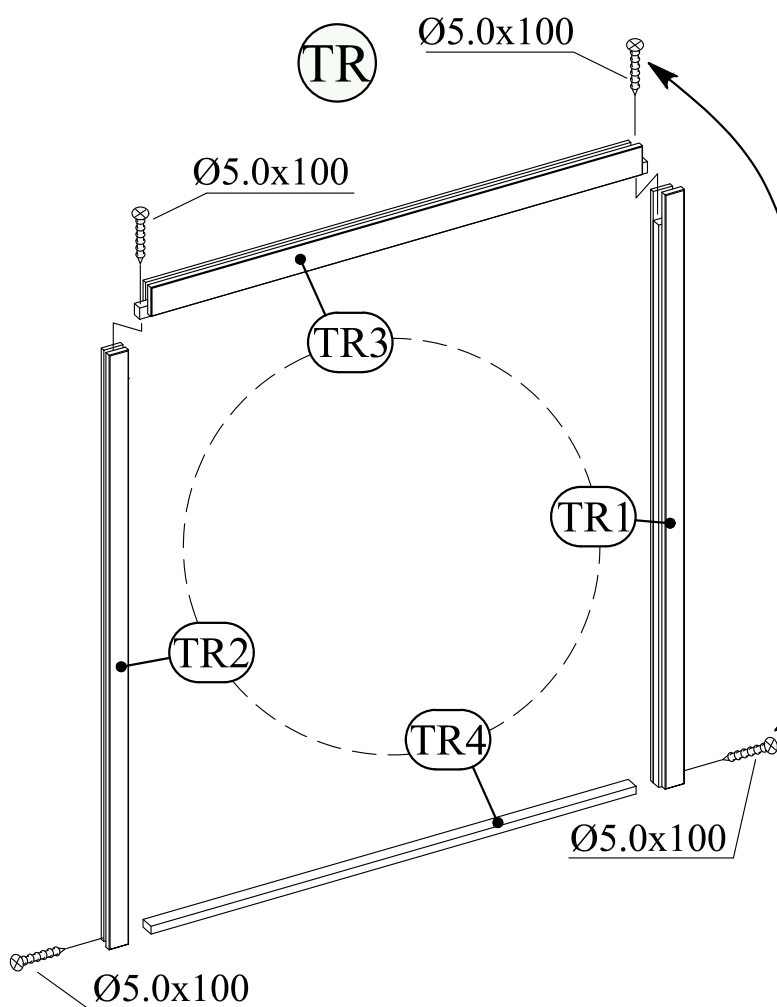
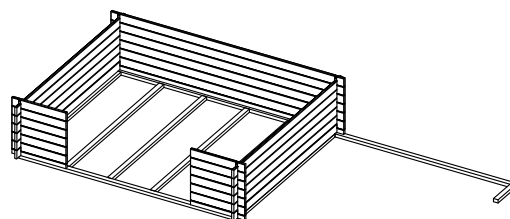


2

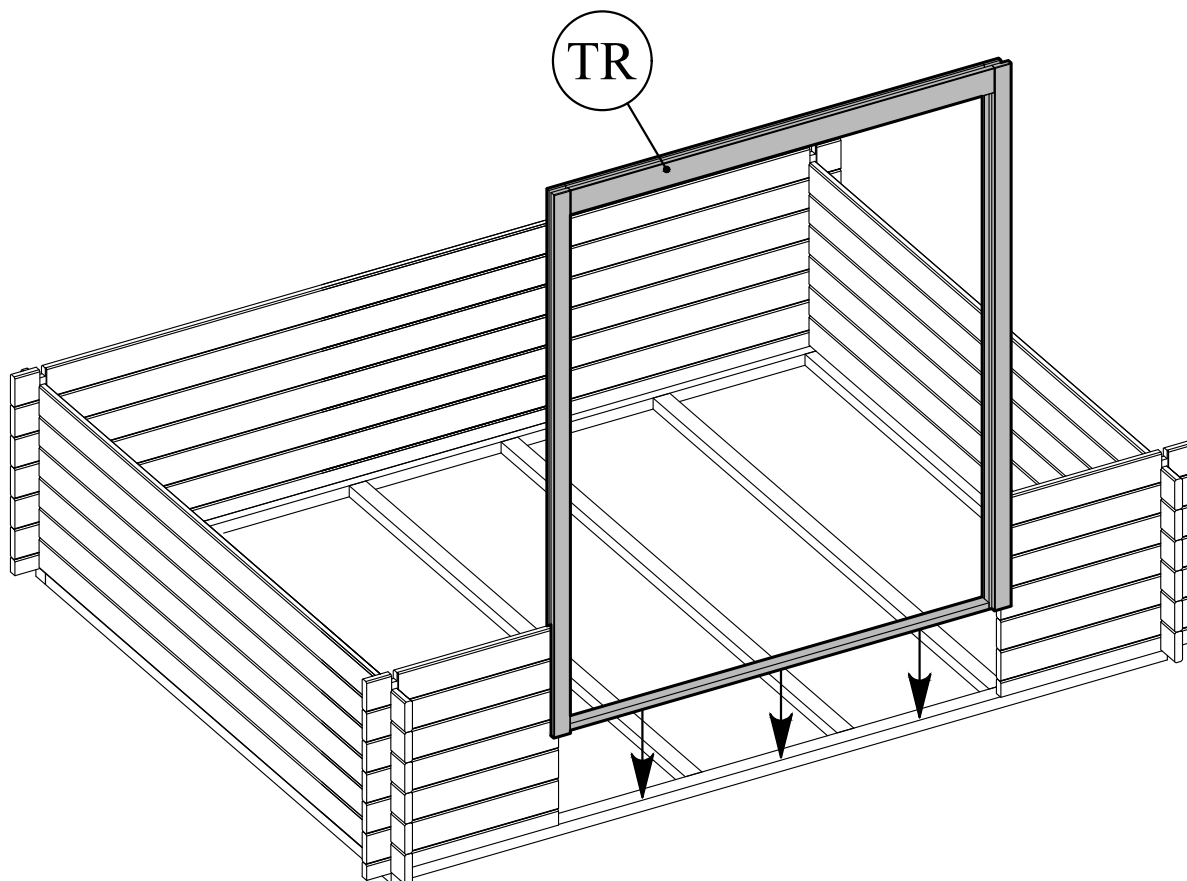
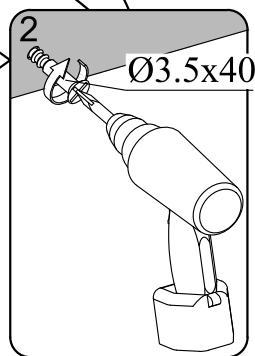
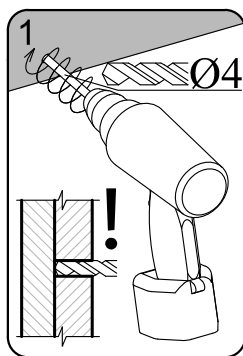
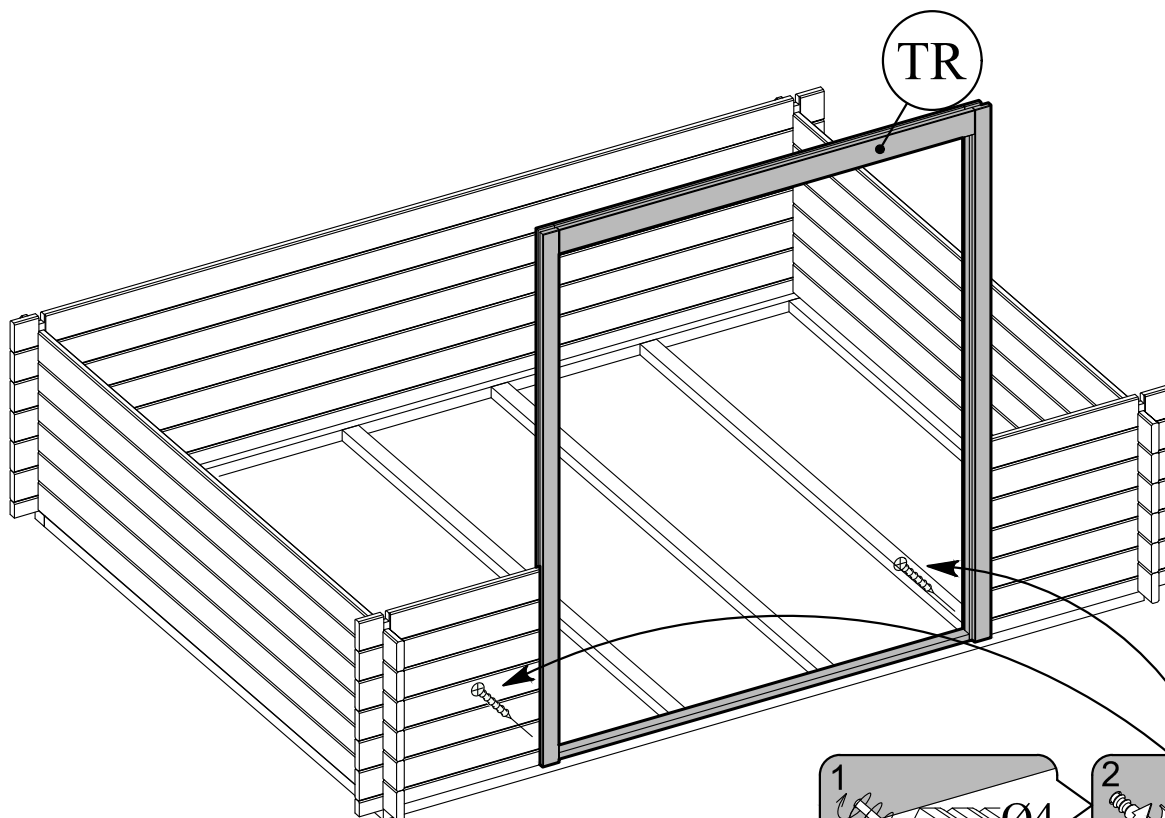




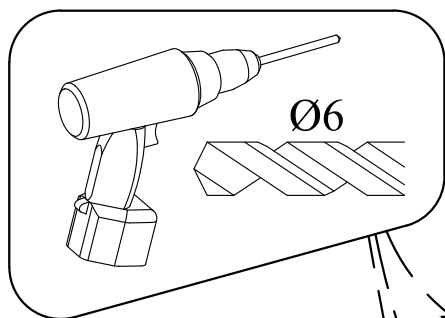
Montage variante  
Assembling variant  
Des option de montage



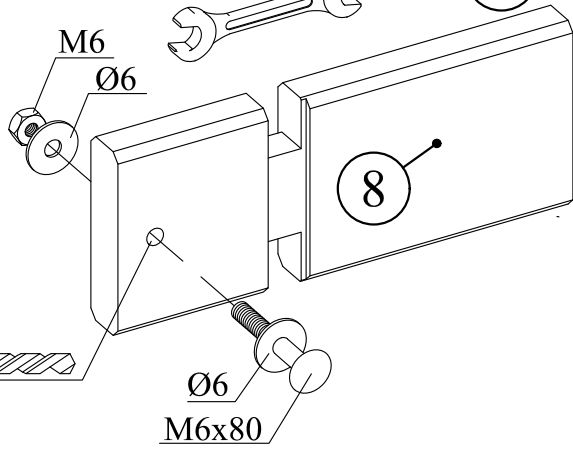
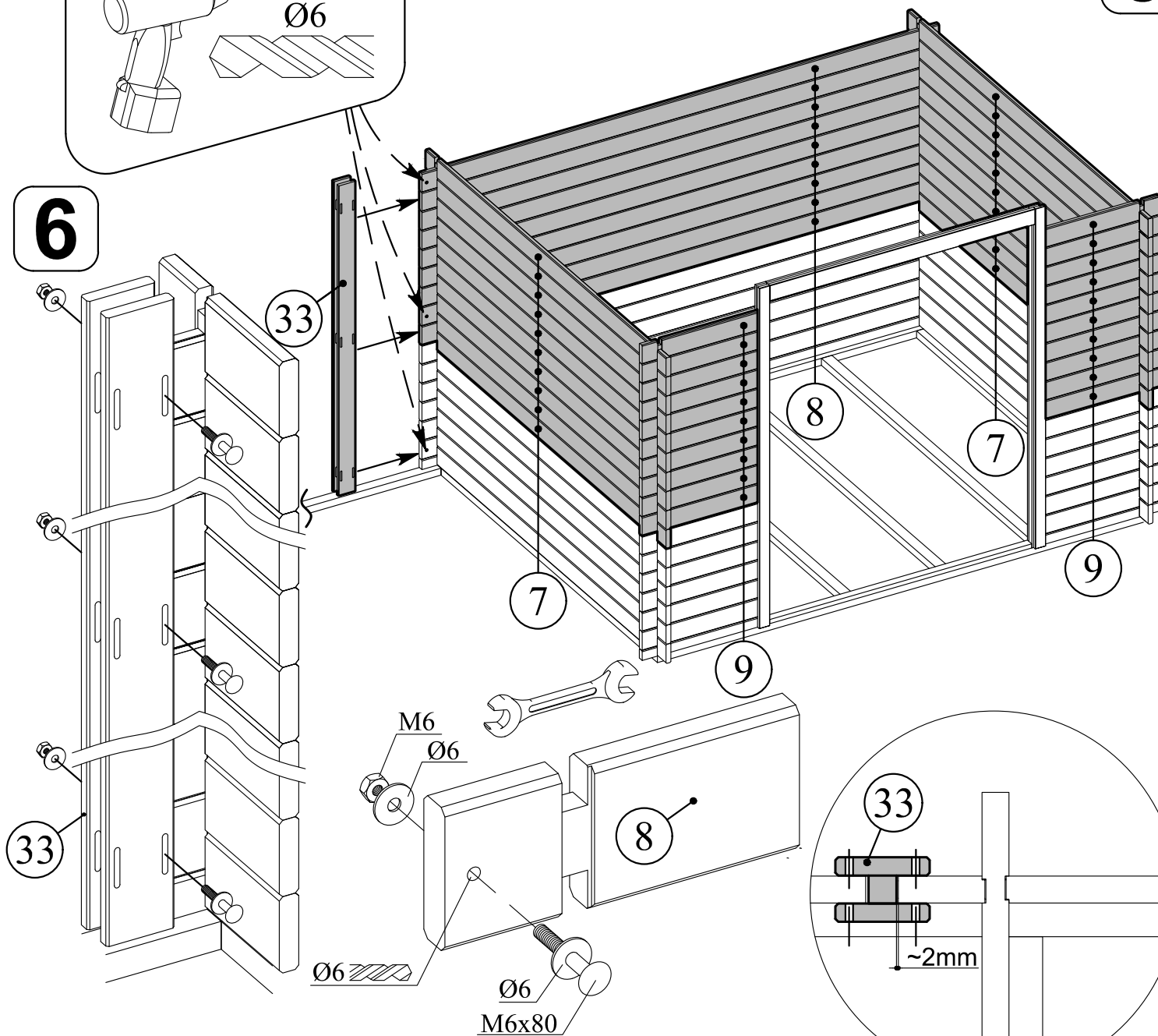




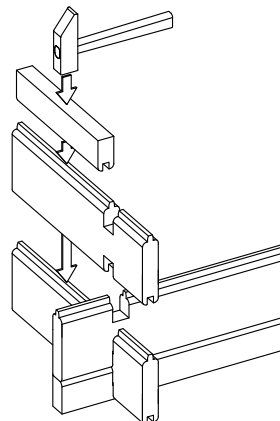
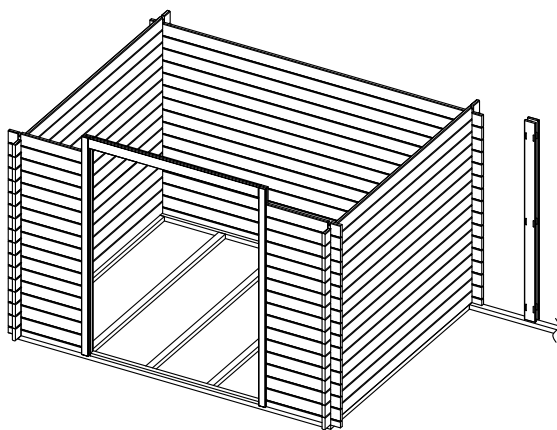


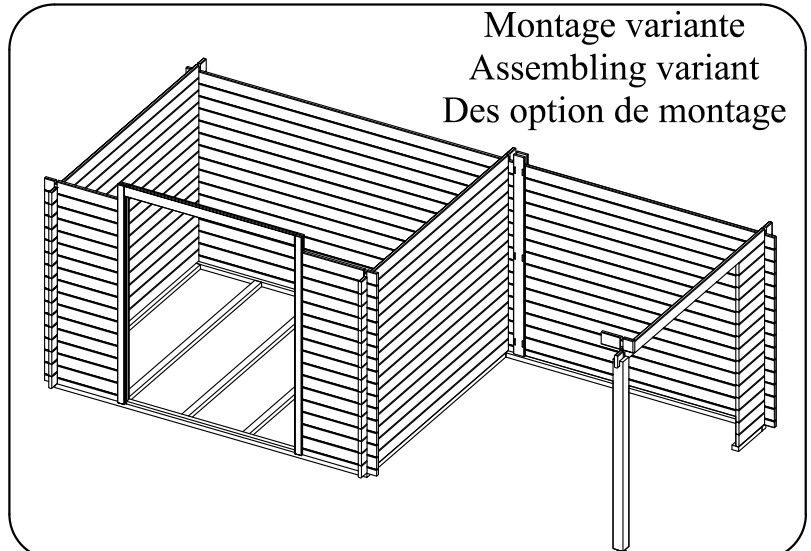
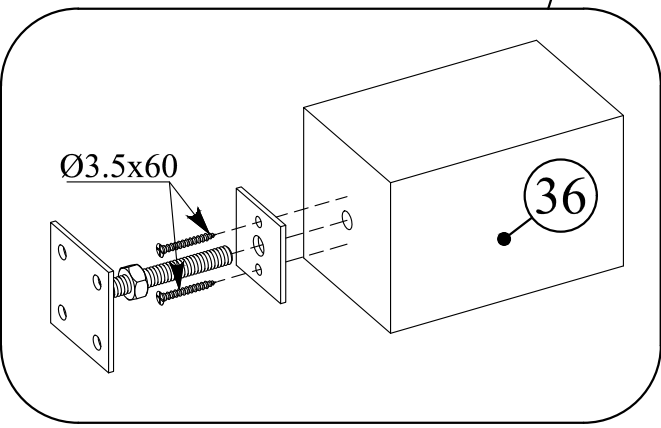
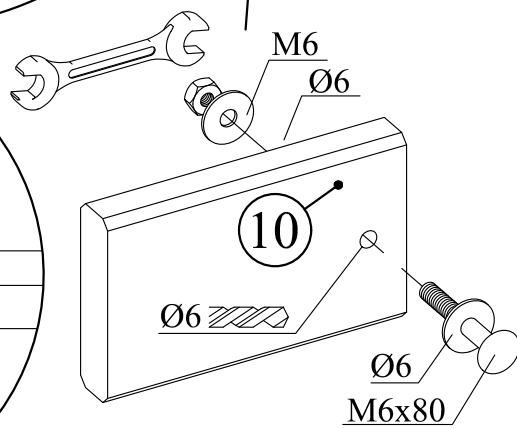
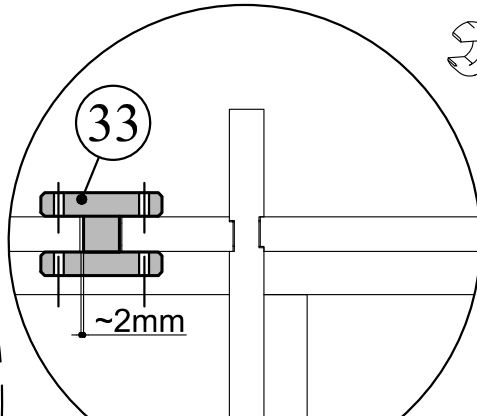
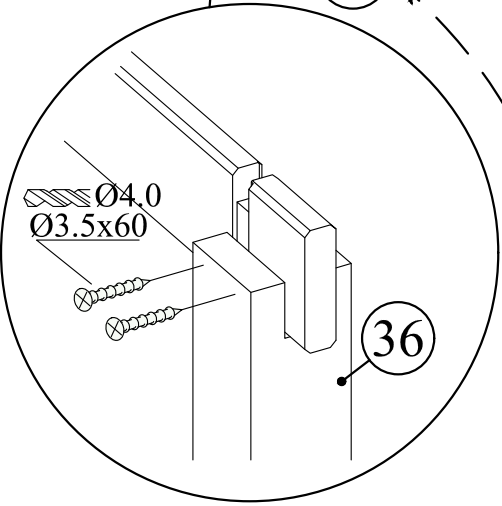
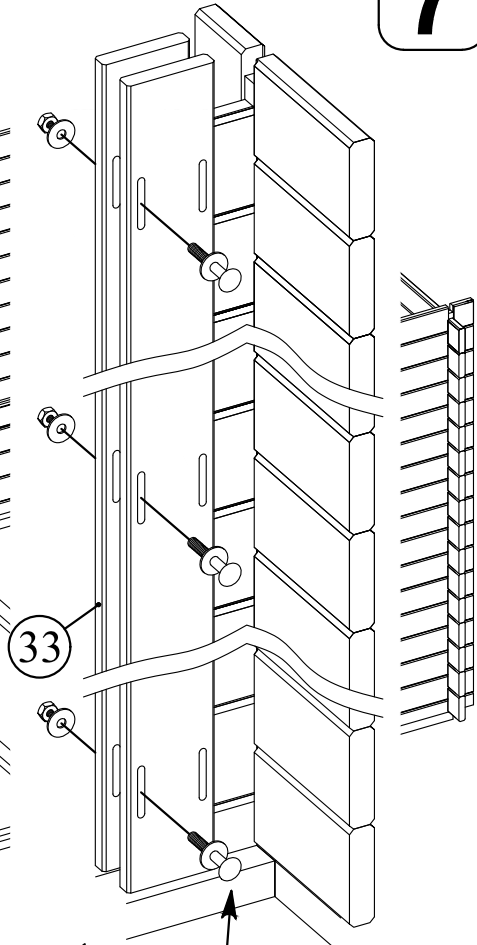
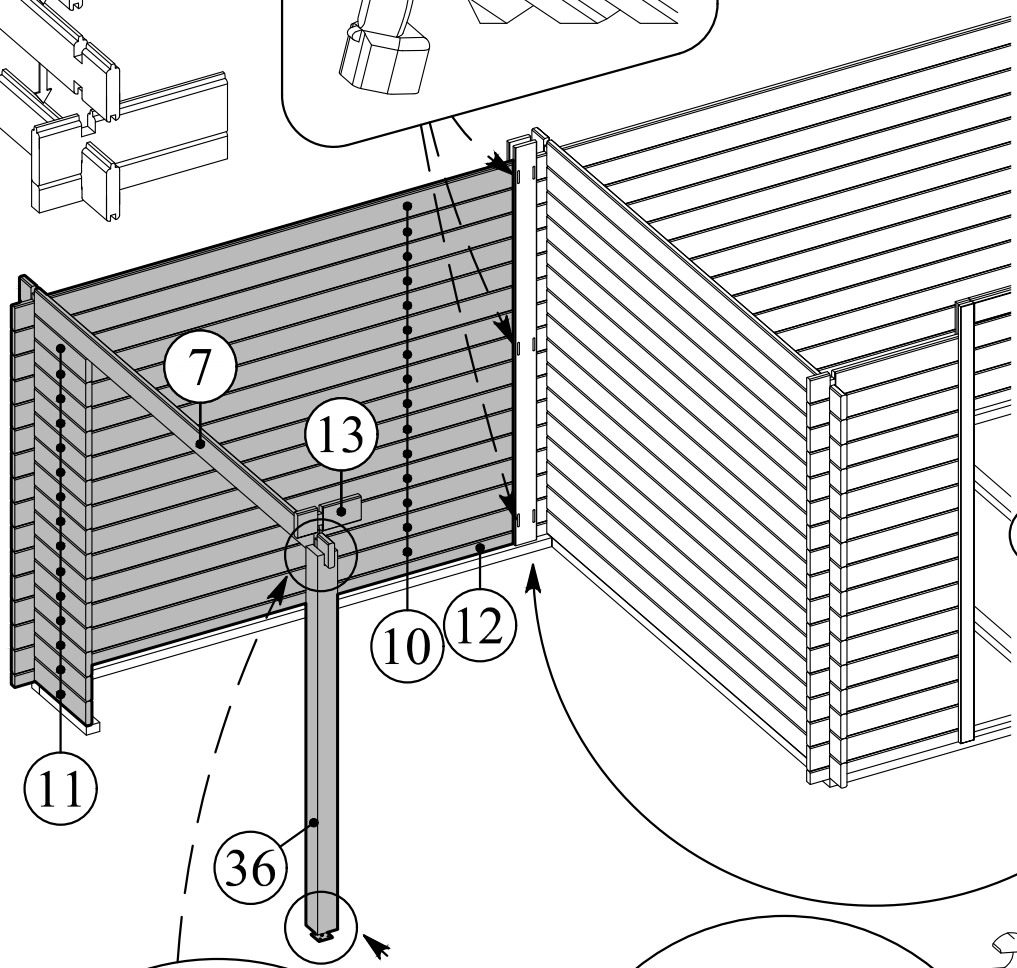
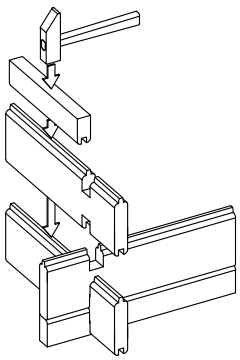
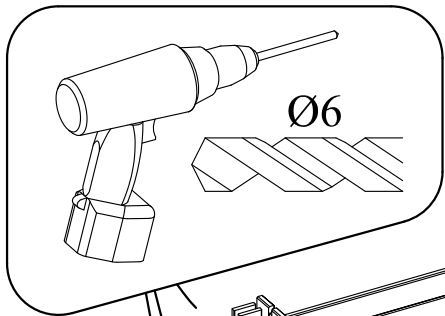


6

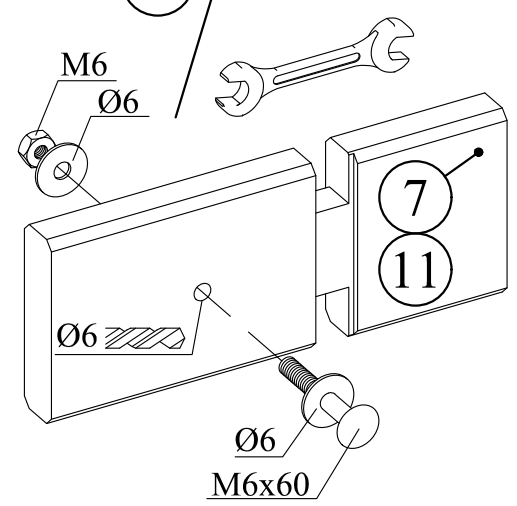
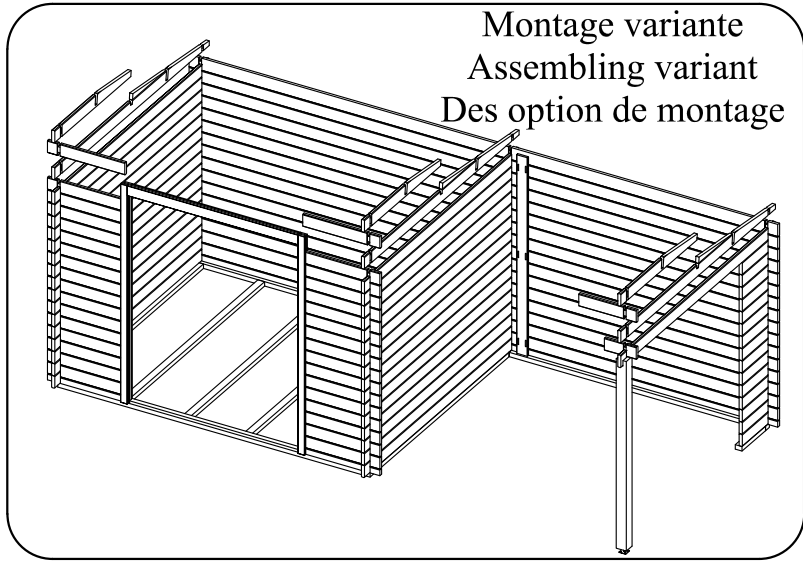
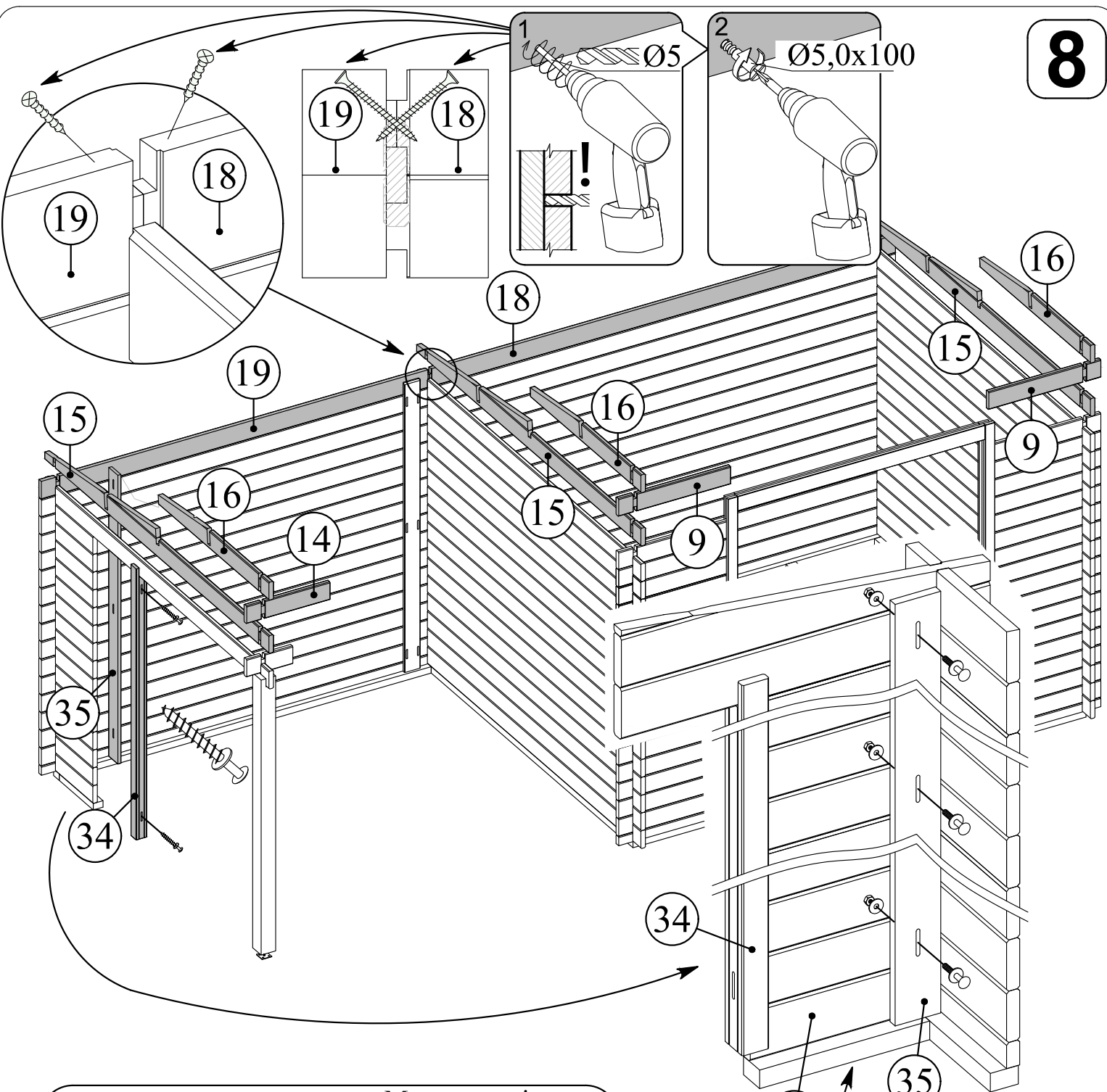


Montage variante  
 Assembling variant  
 Des option de montage

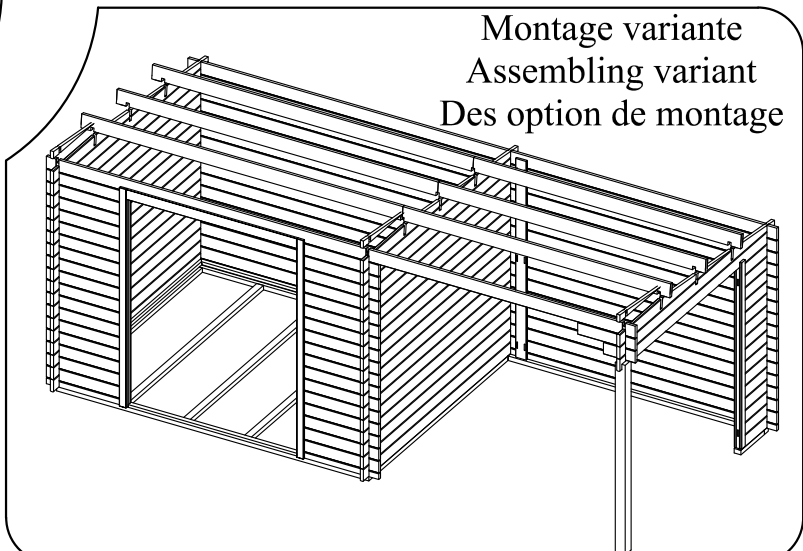
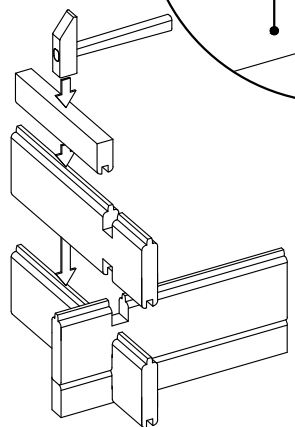
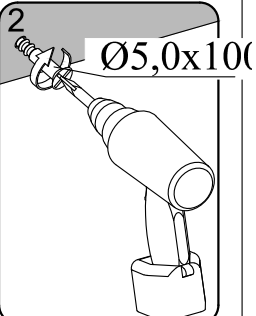
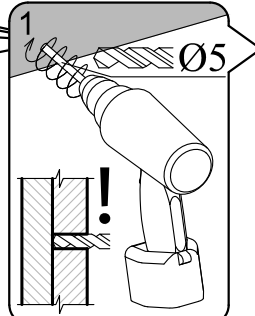
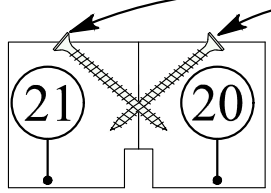
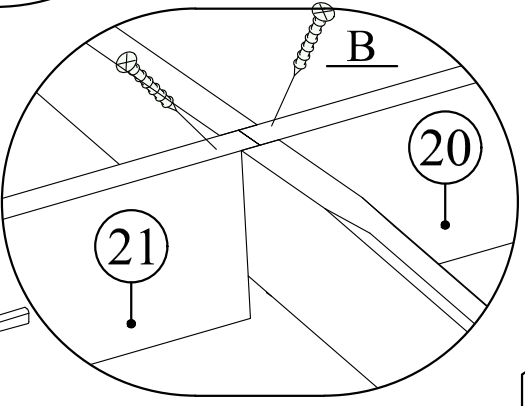
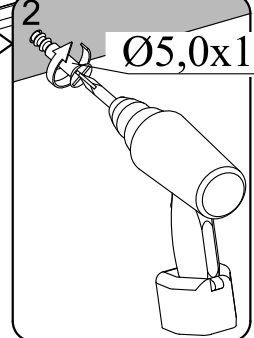
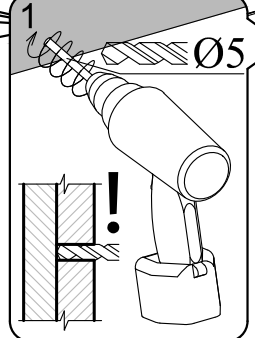
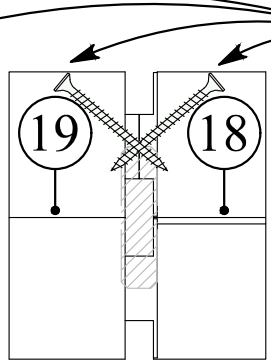
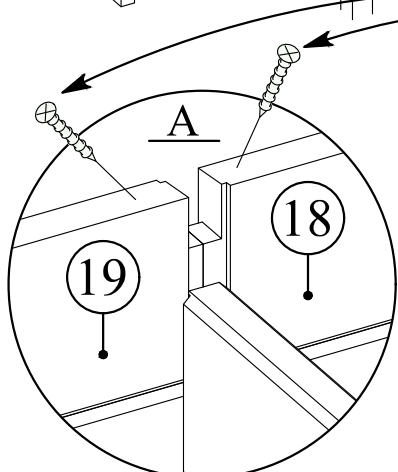
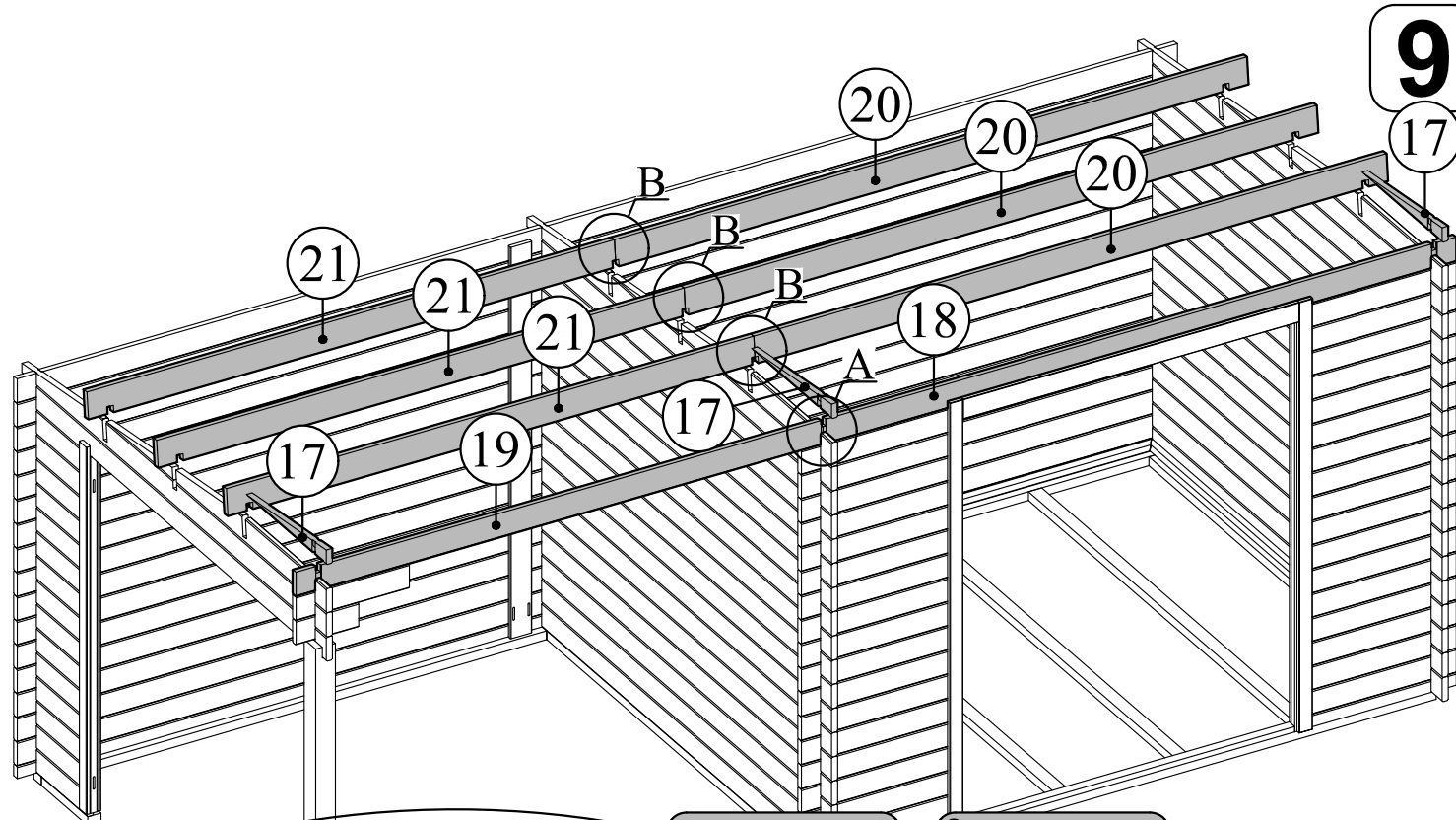




Montage variante  
Assembling variant  
Des option de montage



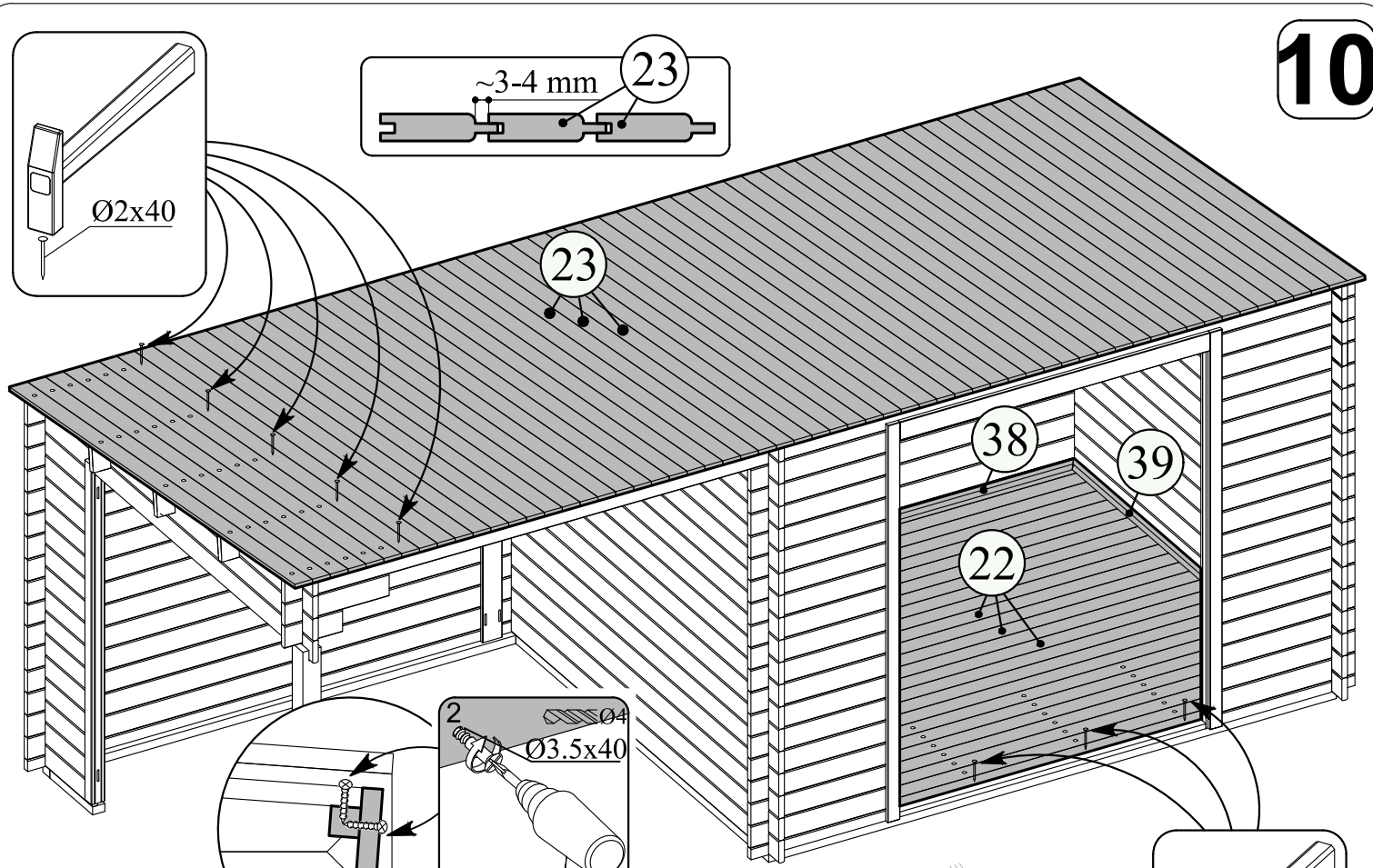
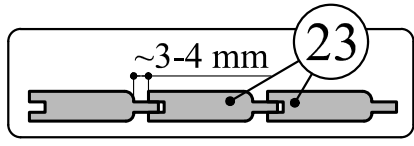
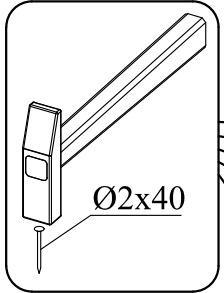
9  
17



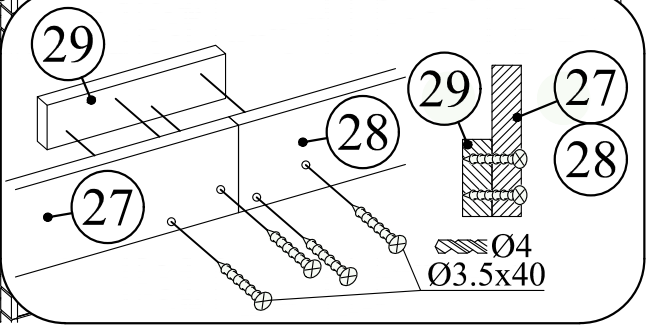
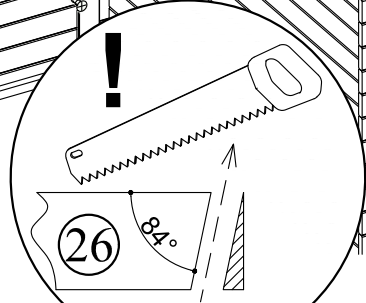
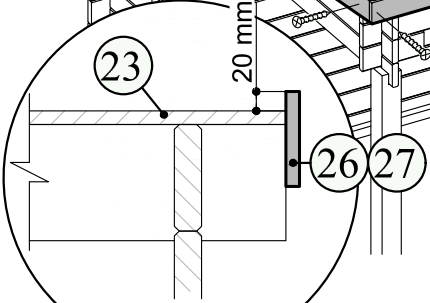
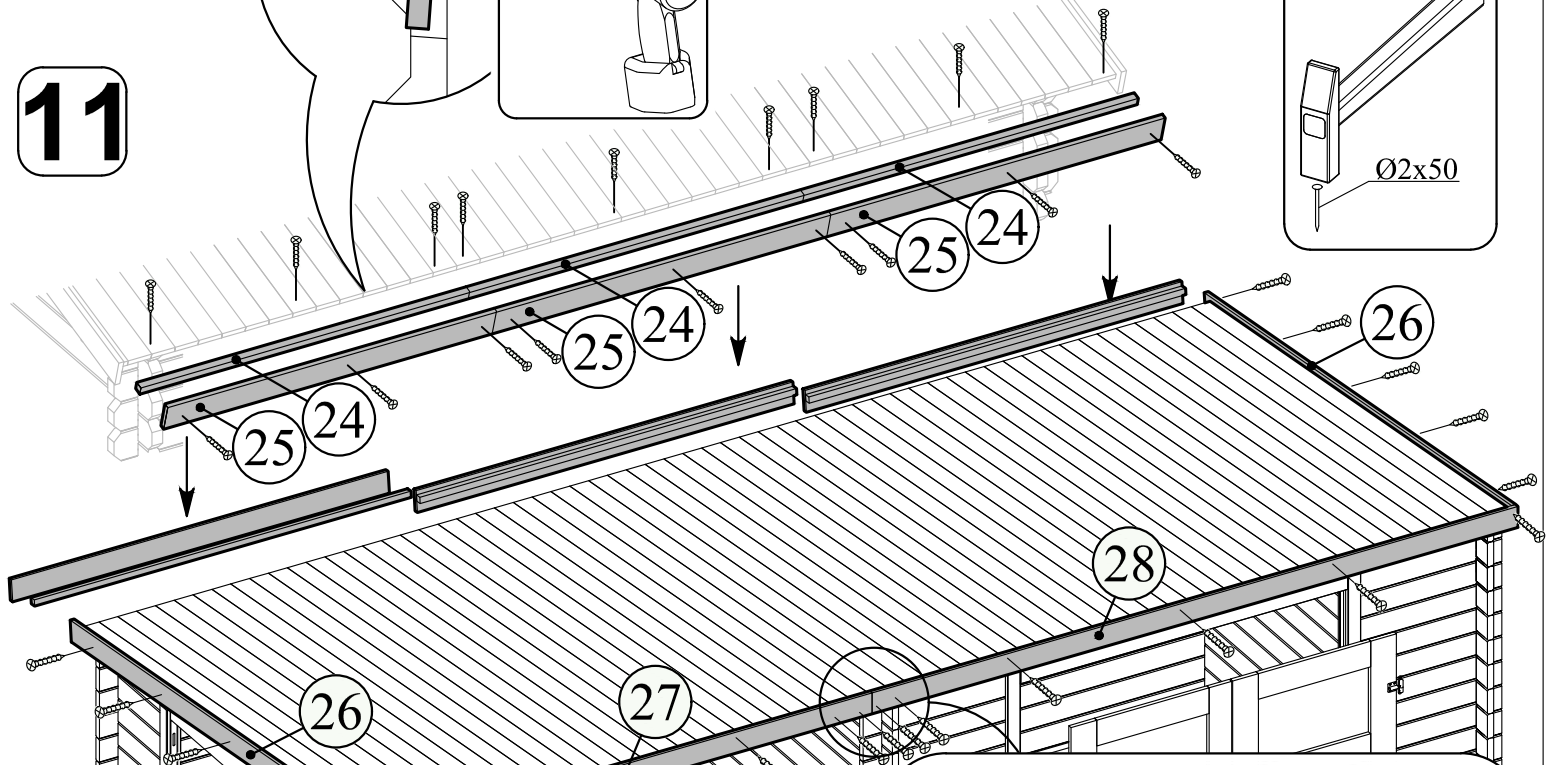
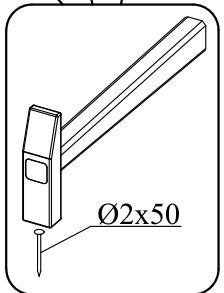
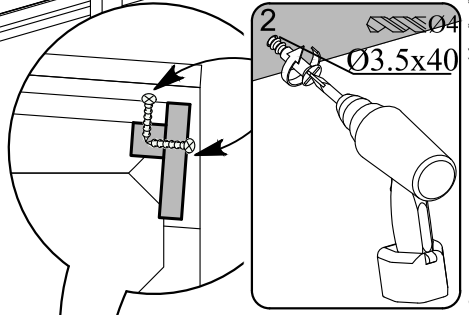
Montage variante  
 Assembling variant  
 Des option de montage

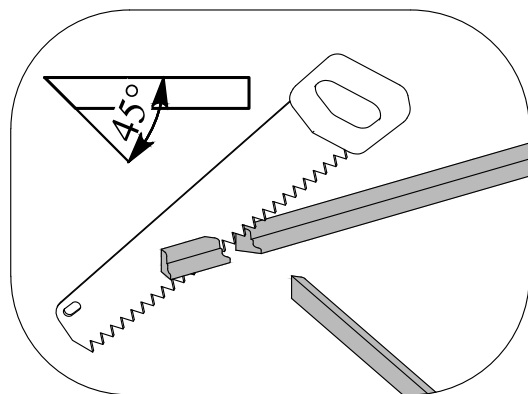
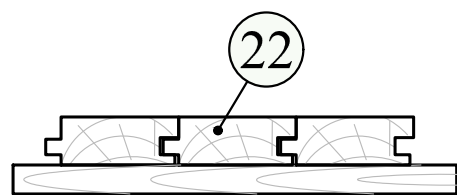
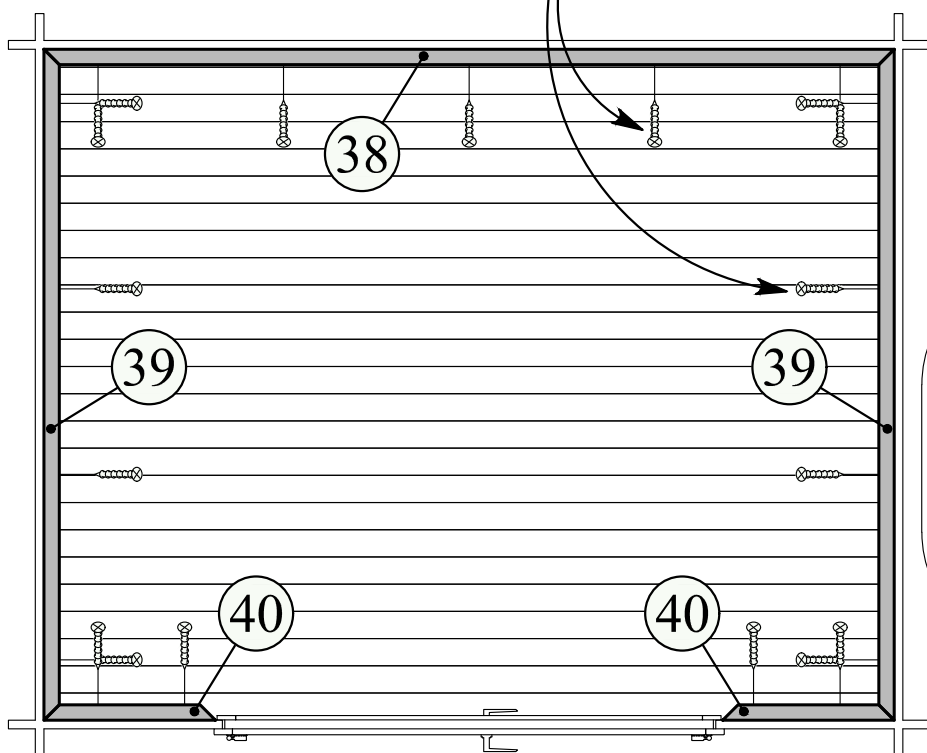
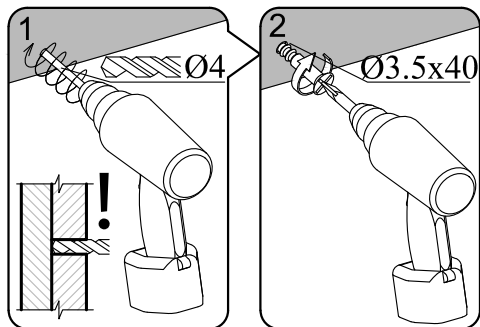
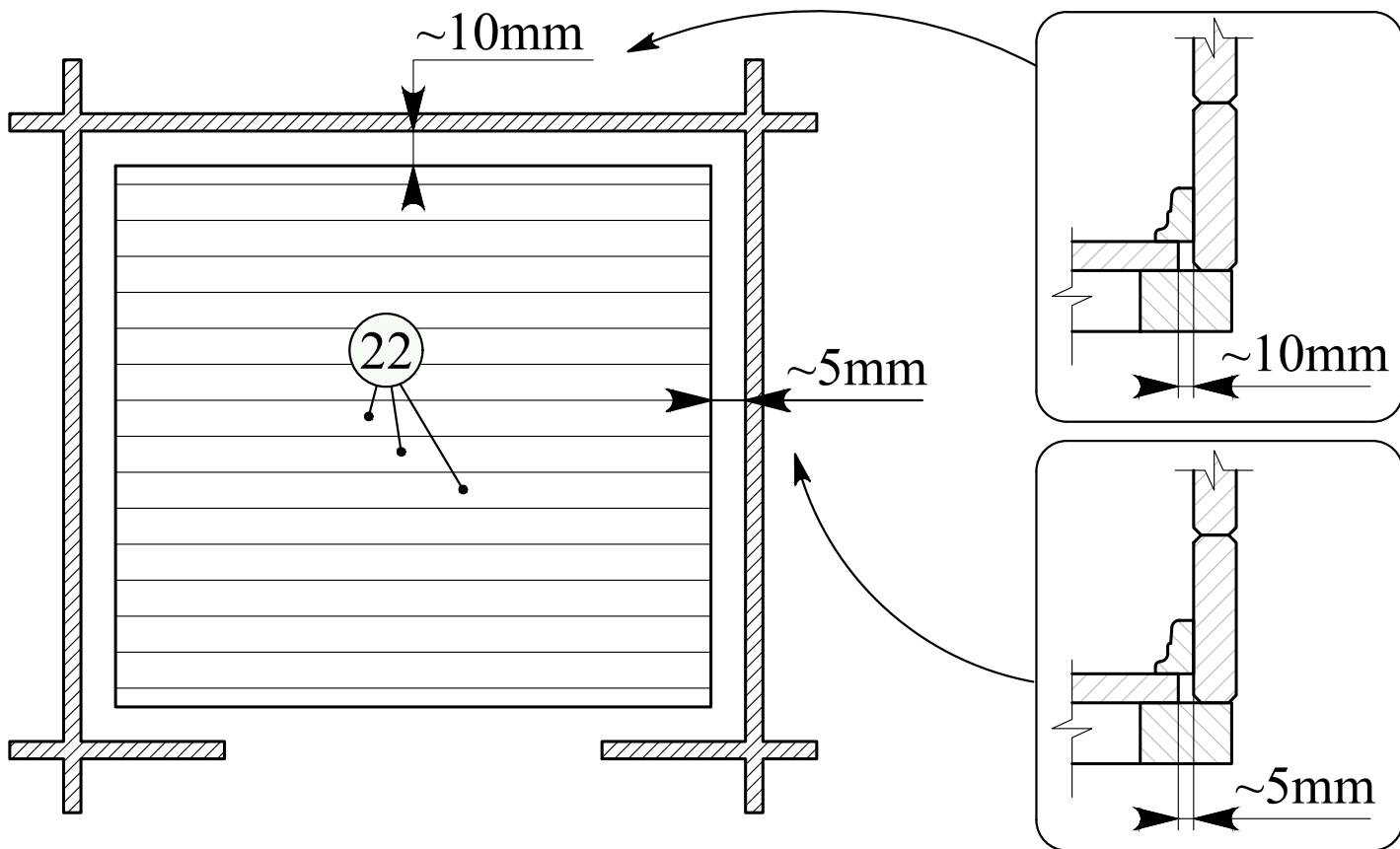


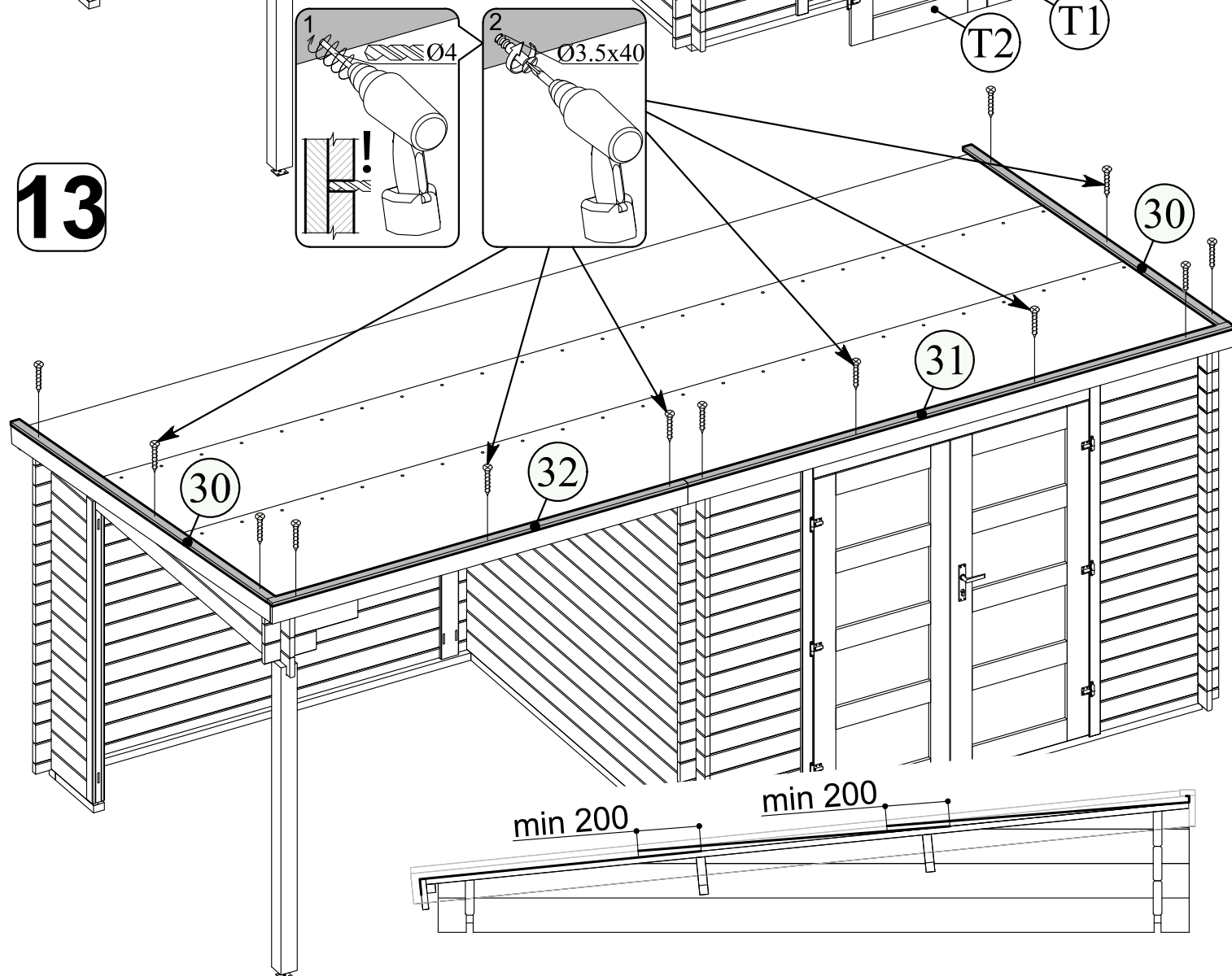
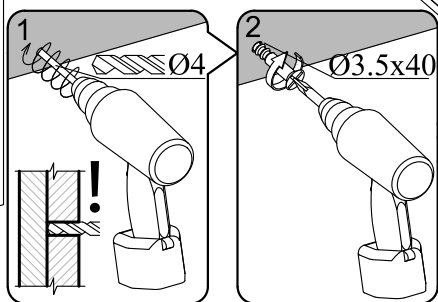
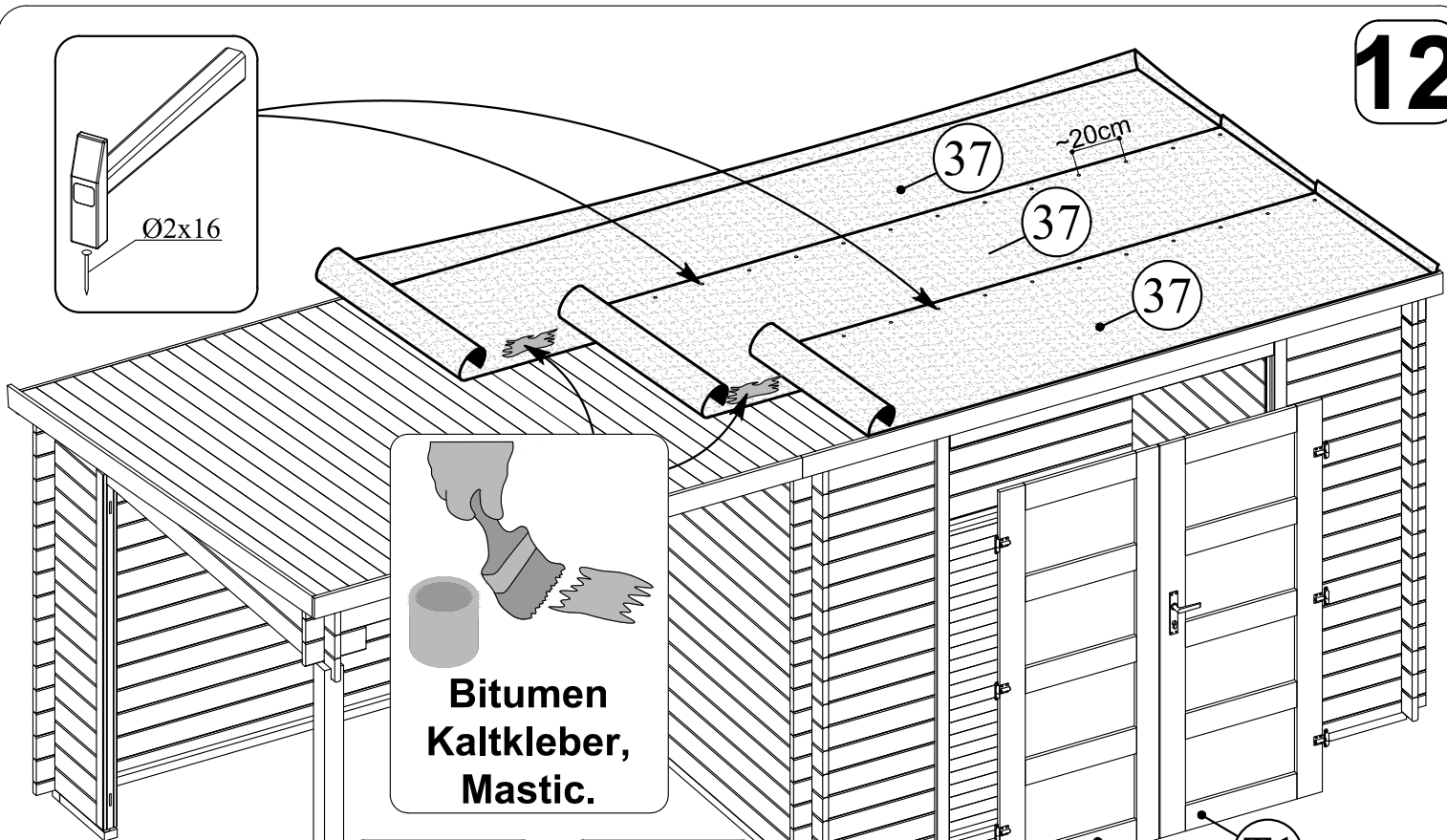
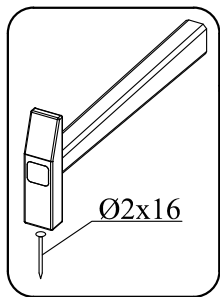
10



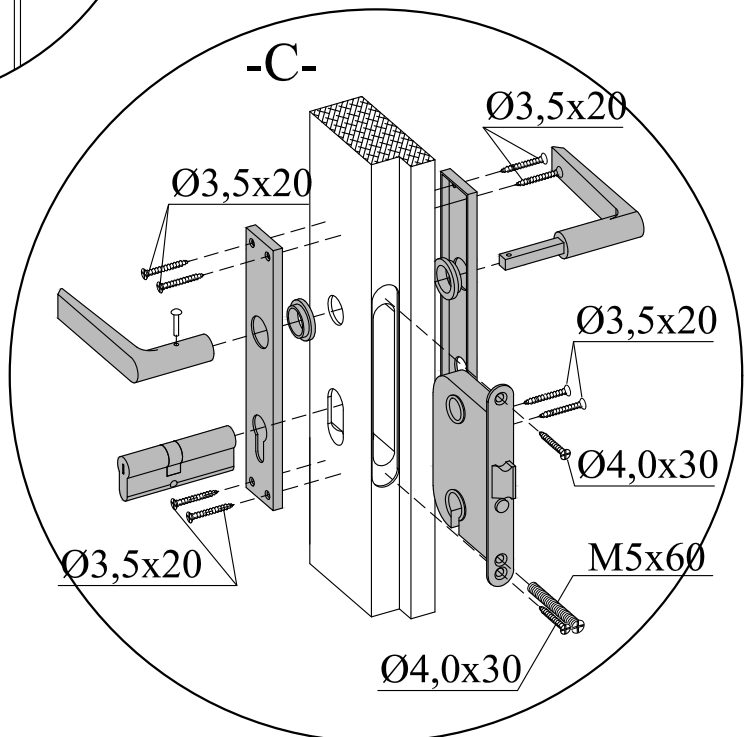
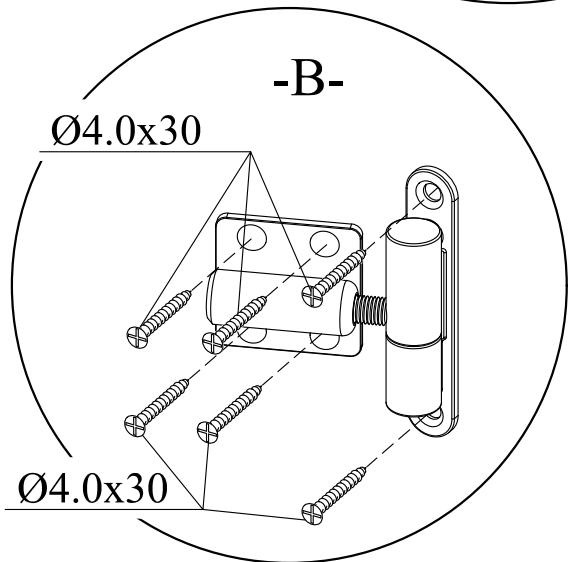
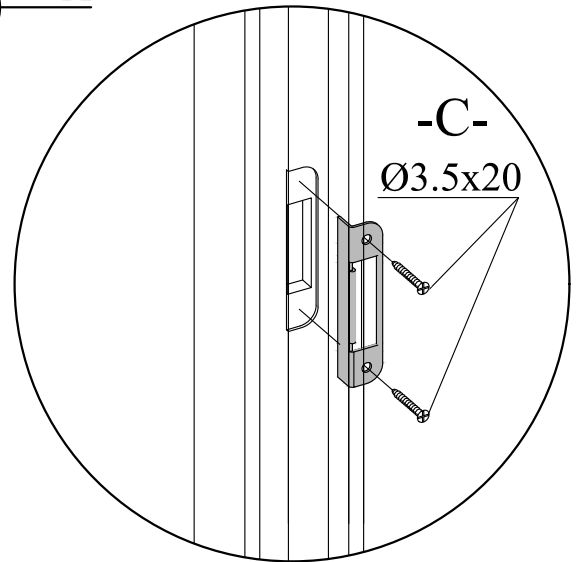
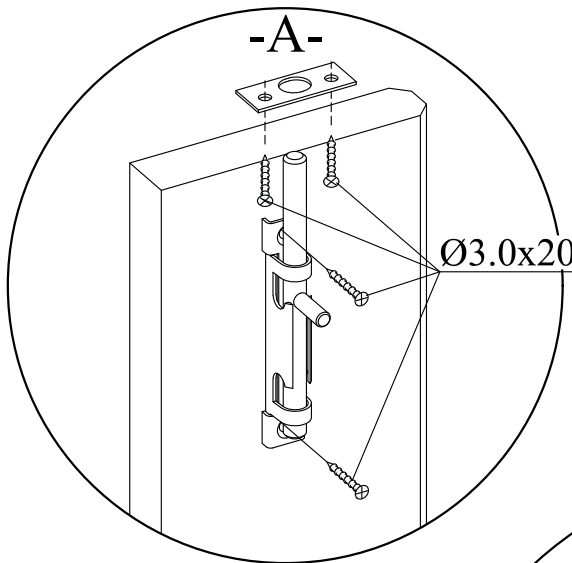
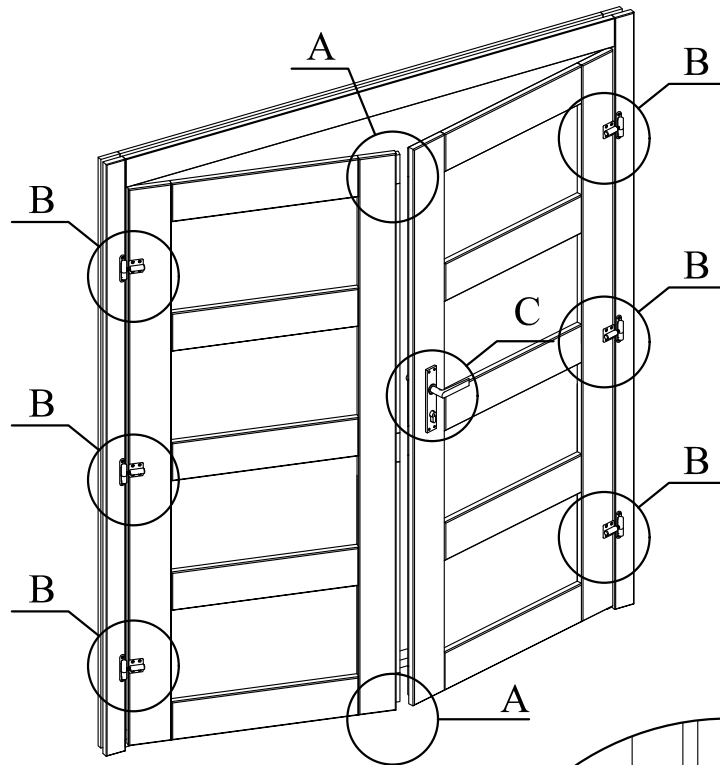
11





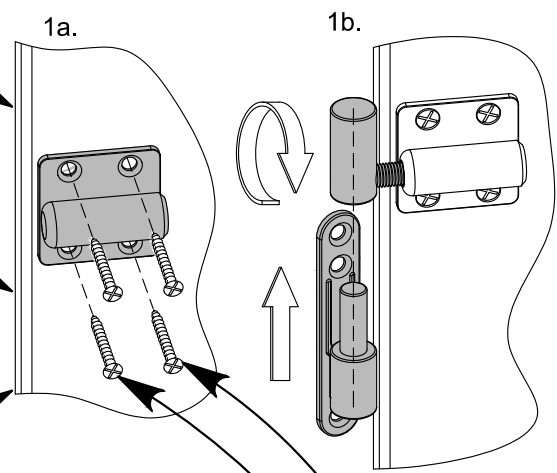
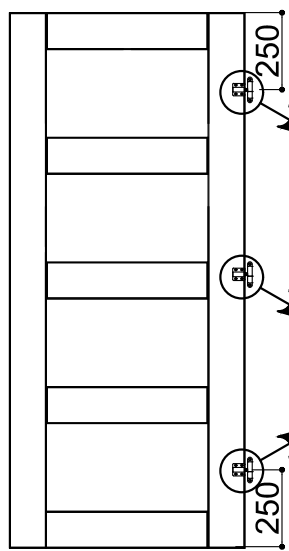
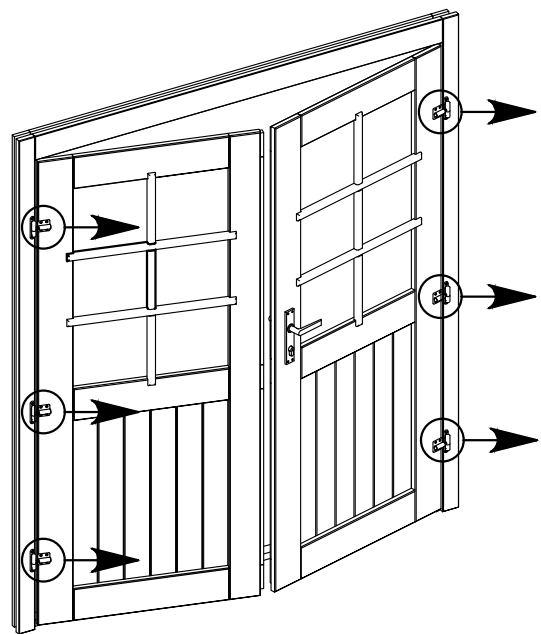




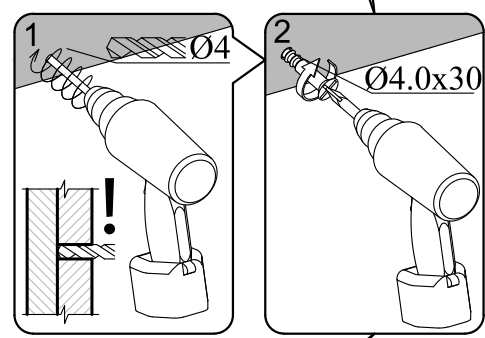
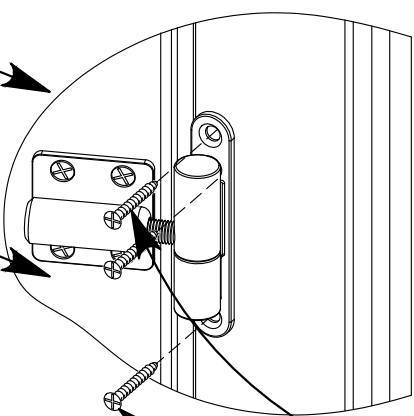
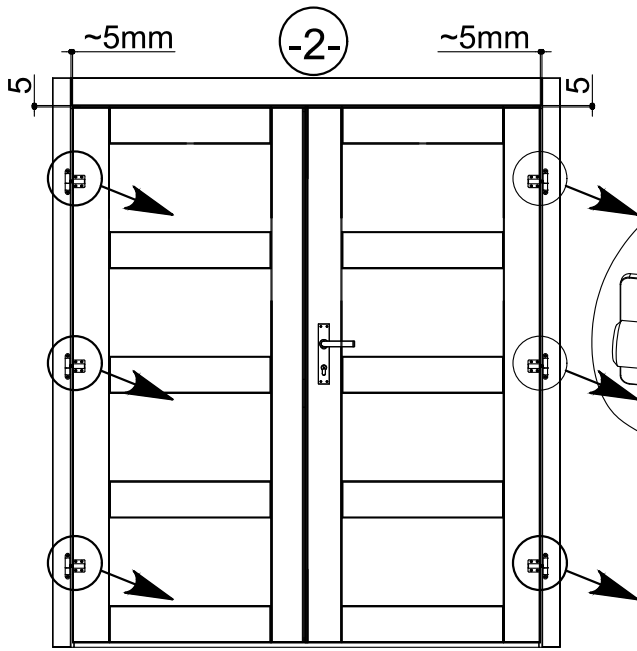


-B-

-1-



-2-



-3-

